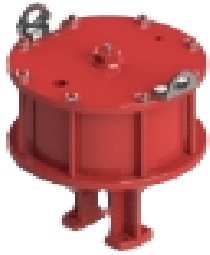


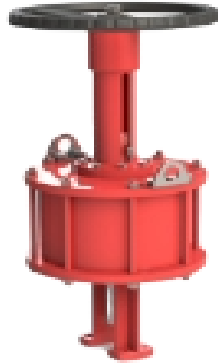
## Linear Actuator



## Product Display



Linear Actuator Double Acting



Linear Actuator Double Acting Manual



Manual with Bevel gear Linear Actuator Double Acting



Linear Actuator Single Acting Manual with Bevel gear



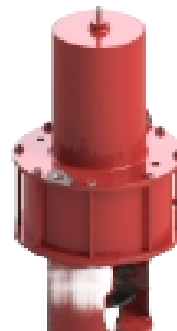
Linear Actuator Single Acting



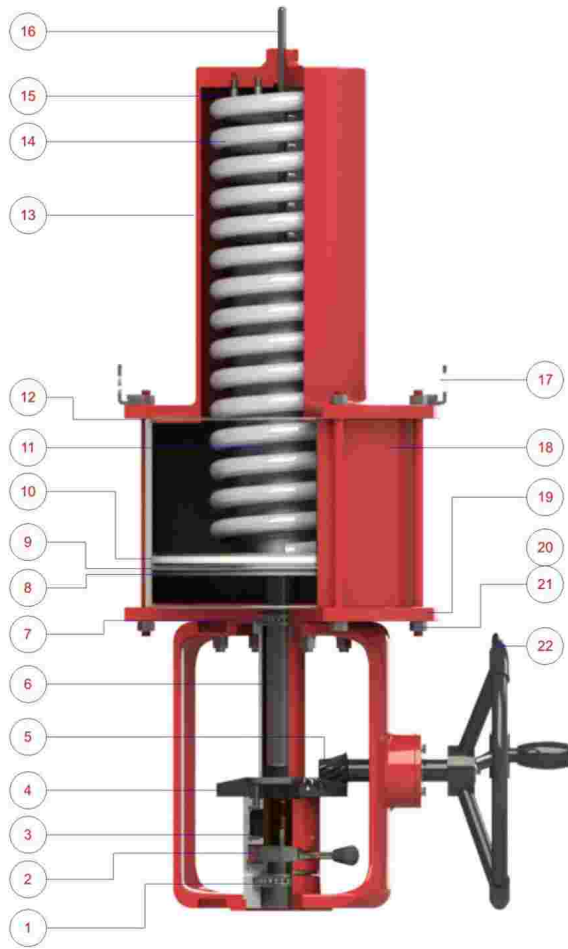
Linear Actuator Single Acting Manual with Bevel gear



Linear Actuator Double Acting



Linear Actuator Single Acting Manual with Bevel gear



Serial number	Name and specification	Material
1	Thrust bearing	Bearing steel
2	Manual switchboard	1023
3	Split nut bevel gear	Aluminium Bronze
4	Big bevel gear	1045
5	Small bevel gear	1045
6	Piston rod	1045+ICr
7	Thrust bearing	Bearing steel
8	Piston	40Cr
9	Piston seal	NBR
10	Piston guide ring	PTFE
11	Spring guide sleeve	1020
12	O-rings	NBR
13	Spring steel	1020
14	Spring	Spring steel
15	Spring limit seat	1023
16	Indicating arm	1020
17	Ring	1023
18	Cylinder block	1020
19	Cylinder end cover	1023
20	Pull rod stud	1045
21	Coupling Nut	1035
22	Hand wheel	Malleable cast iron

## Features

Pneumatic actuator adopts cylinder piston structure, its small size, large output force, stable performance, reliable work. Pneumatic with manual actuator, by the separate pneumatic part and the manual part of the executive combined together, has the advantages of easy installation, more convenient maintenance