



## LD-SG Series Sanitary Diaphragm Pressure Gauge





## Application

German Engineered to fulfill the rigorous sanitary standards of food and beverage industries. The Lomas LD - SG Series is designed to avoid contact with pressure gauges, making it ideal for equipment washdown. Fabricated from 316 stainless steel, it complies with the 3-A sanitary standards.

## Special Features

- Integrated design
- Quick cleaning with no residue
- Clamp connection for easy opening, cleaning, and seal replacement
- Suitable for SIP (Sterilization in Place) and CIP (Cleaning in Place)
- Complies with 3-A sanitary standards

## Specifications

### Dial size

---

2.5" or 4"

### Case

---

304 stainless steel case, polished finish

### Ring

---

304 stainless steel crimped ring

### Window

---

Polycarbonate

### Movement

---

304 stainless steel

### Liquid filling

---

Glycerin or food oil

### Bourdon tube and connection

---

316 stainless steel

### Sanitary seal

---

316 stainless steel

### Membrane

---

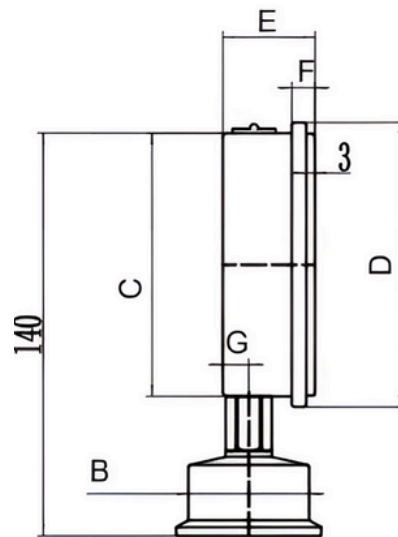
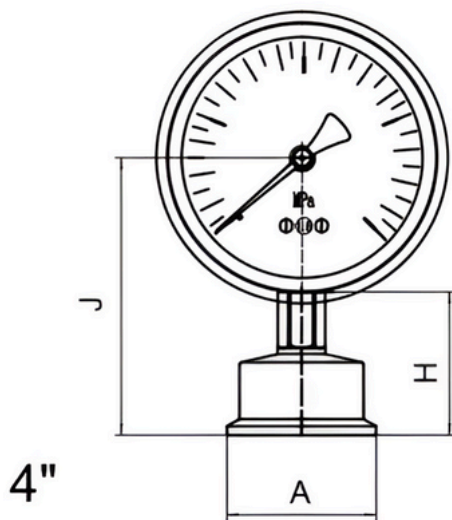
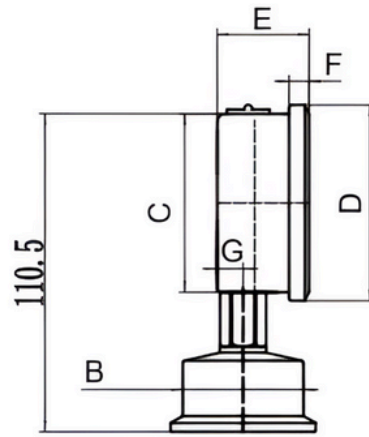
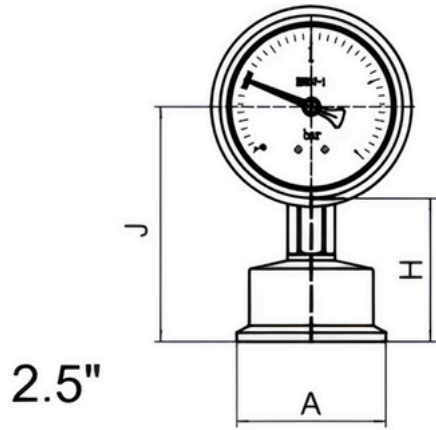
- 316L stainless steel
- laser welded on the sanitary seal
- Filling hole blocked with ball
- O-ring and M5 set screw

### Process connection

---

- Clamp 1-1/2", 2" as standard
- other size on request according to DIN or ISO standard

## Dimension Drawing



Dial size	Clamp Size	A	B	C	D	E	F	G	H	J
2.5"	1.5"/DN40	ø50.5	42	ø62	ø68	32	7	9	48.5	80
4"	1.5"/DN40	ø50.5	42	ø91.5	ø98.8	32	8	9	48	94
2.5"	2"/DN50	ø64	42	ø62	ø68	32	7	9	48.5	80
4"	2"/DN50	ø64	42	ø91.5	ø98.8	32	8	9	48	94