



LPTE-10 Series Pressure Transmitter



Application

- Designed for general industrial applications
- Compact design, low cost, widely used
- Suitable for applications including Hydraulics, pneumatics, HVAC, Machine building, Pump and compressors, Shipbuilding etc.


Key Specifications

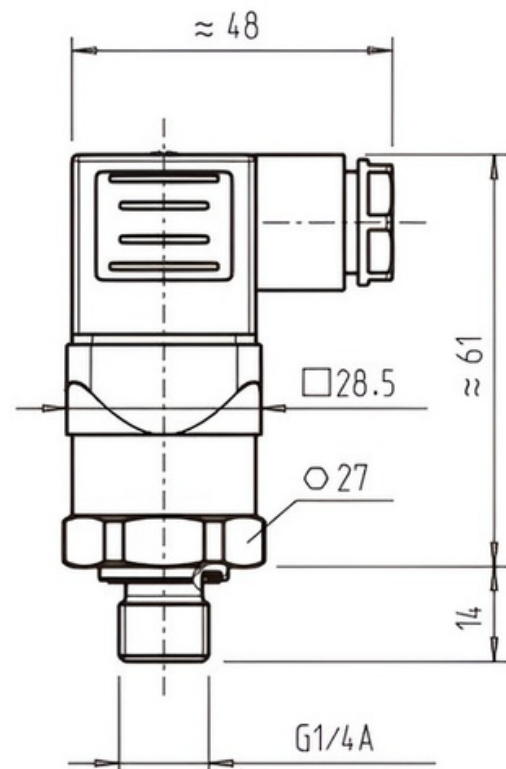
- Measuring range: 0-10bar to 0-1000bar
- Non-linearity: 0.25% or 0.25%
- Output: 4-20mA, 0-10V, 0-5V etc
- Process connection: G1/4 or 1/4 NPT etc
- Combined error: $\pm 0.25\%FS$, $\pm 0.5\%FS$
- Input voltage: 24Vdc (10~36Vdc)
- Operating temperature: -30+100 deg C

Additional Details And Material

- Electric connection: angular plastic connector, DIN 175301, cable not included
- Process connection: G1/4, 1/4NPT etc
- Material: IP 67
- Wetted parts: 316 stainless steel

Electric Connection Drawing

Angular connector DIN 175301-803 A			
		2-wire	3-wire
	U _B	1	1
	0V	2	2
	S+	-	3



How to order:

Model /Measuring range/Output/Power supply/accuracy/Process connection