



LFG - BR SERIES LIQUID FILLABLE GAUGE WITH DIN BAYONET RING





Application

LFG - BR SERIES LIQUID FILLABLE GAUGE WITH DIN BAYONET RING is specifically engineered for demanding industrial applications that involve high levels of vibration and require effective damping. This gauge is particularly suited for use with gases and liquids that are non-corrosive to brass, ensuring reliable performance in challenging environments. Additionally, its robust design enhances durability, making it a dependable choice for long-term use.

Specifications

Nominal sizes

2.5", 4", 6"

Accuracy class

- 2.5": KL 1.6
- 4", 6": KL 1.0

Connection

- BSP 1/4" for 2.5"
- BSP 1/2" for 4", 6"

Scale Range (according to EN 837-1/5)

- **Pressure ranges:** 0 to 0.6/1/1.6/2.5/4/6/10/16/25/40/60/100/160/250/400/600/1000 bar
- **Vacuum range:** -1 to 0 bar
- **Compound pressure:** -1 to 0.6/1.5/3/5/9/15/24 bar

Operating Temperature

- **Ambient:** -40°C to 60°C
- **Medium:** 60°C maximum

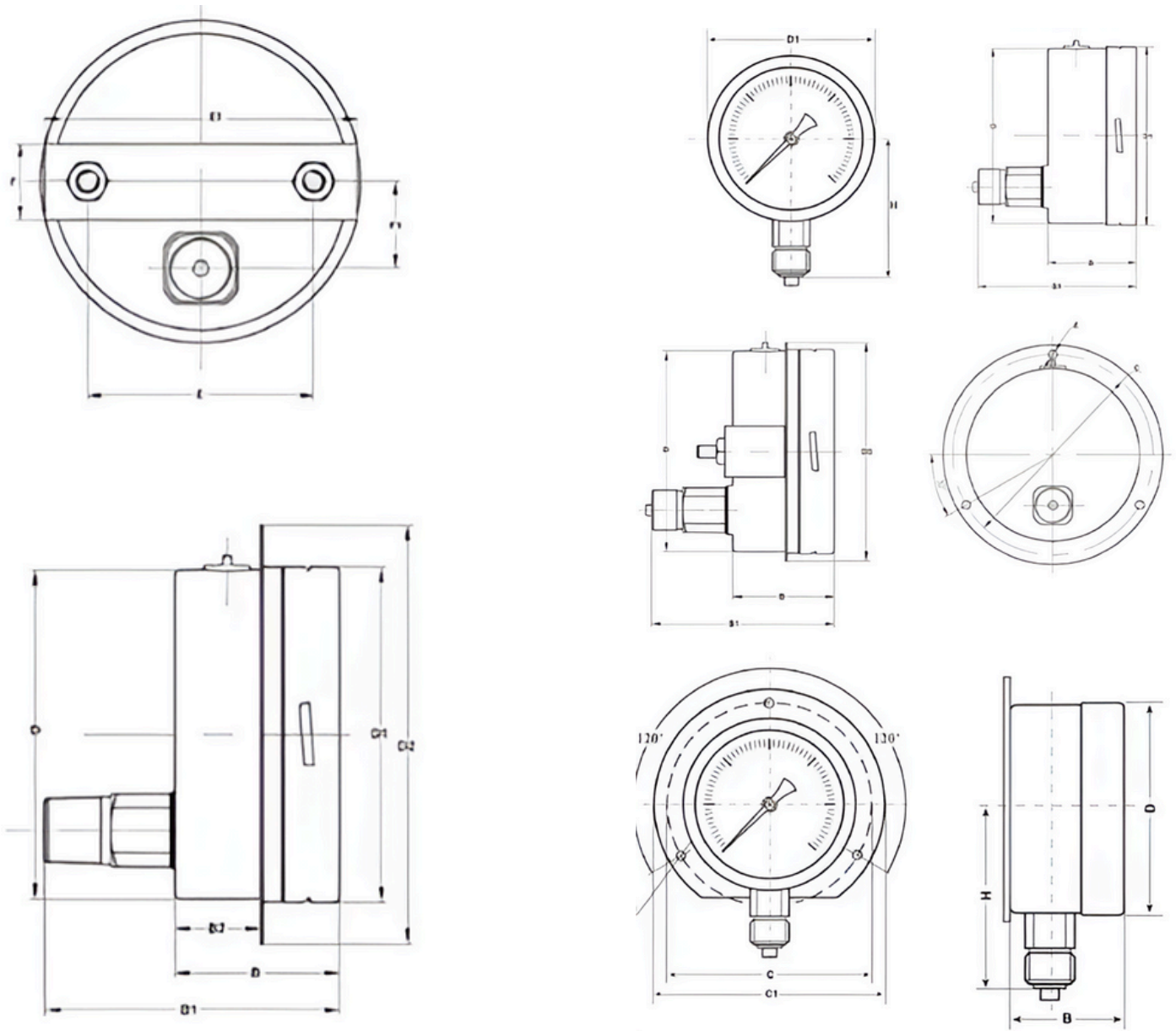
Material Specification

- **Case:** 304 stainless steel case and DIN bayonet ring
- **Window:** laminated safety glass
- **Wetted parts:** copper alloy bourdon tube and brass connection
- **Movement:** brass
- **Standard filling:** glycerin

Options

- NPT, BSPT or other process connection
- Restrictor
- Double dial range or other dial ranges
- Silicone oil filling, refrigeration scales

Dimension Drawing



DIAL SIZE	D	D1	D2	D3	H	B	B1	C	C1	E	E1	F	F1	d
2.5"	62	64	85	--	54	34	57	Ø77	Ø85	--	--	--	--	Ø3.5
4"	99	101	128	107.5	83	50	83	Ø118.5	Ø128	76	76	25.5	29	Ø5
6"	147	149	--	--	108	50	83	Ø161	Ø181	--	--	--	--	Ø5