

TP04 Temperature Transmitter (2-wire for duct type)



| Features |

- SS Housing, all-in design with anti-condensation function and good heat dissipation
- Good measuring repeatability and anti-interference
- Monitoring for long-distance temperature signal transmission
- Signal transfer from PT sensor to 4 ... 20 mA
- With SD05 integrated signal indicator for local display(Optional)

| Applications |

For industries in heating / Ventilation / Air conditioning / Cooling / Water power / Electricity, etc. /
For process in agriculture / Green house / Environmental engineering / Food / Pharmaceutical industry /
Machinery manufacturing / Storage tank / Compressor / Hydraulic equipment

| Specifications |

Input

Input	RTD Pt100 Ω
Pt100 Ω sensor current	<0.8 mA
ZERO adjustment range	±10%
SPAN adjustment range	±10%

Output

Output	DC 4 ... 20 mA((2-wire)
Accuracy	±0.5% of F.S.
Load resistance	≤ (Supply voltage - 8 V) / 0.02A Ω
Power stability	±0.025% / V
Temperature drift	< ± 0.015%F.S. / °C
Calibration temperature	20 ... 28°C
Response time	< 250 ms

Protection

Pt100Ω signal disconnection protection & output	>23 mA
Pt100Ω signal short circuit protection & output	<3 mA
Output polarity protection	Yes
IP rating	IP65

Certification

Certification	CE
---------------	----

Material

Housing	SUS304
Weight	50 mm : 250 g / 200 mm : 260 g

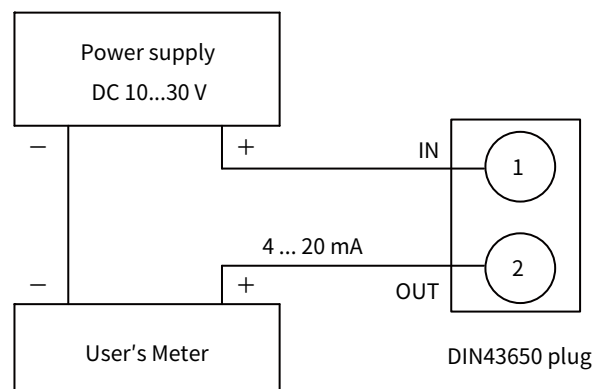
Electrical

Power supply	DC 10 ... 30 V
Electrical connector	DIN 43650 ABS

Environment

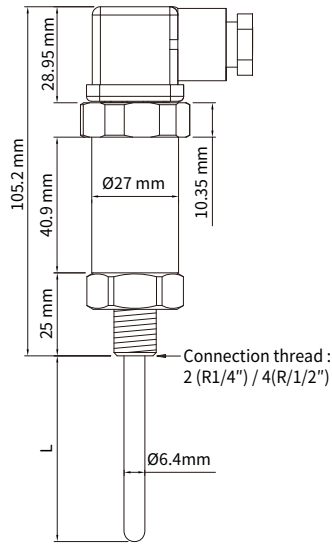
Medium	Air
Operating Temp.	-20 ... 80°C
Operating humidity	100%RH (Non-condensing)

| Diagram |

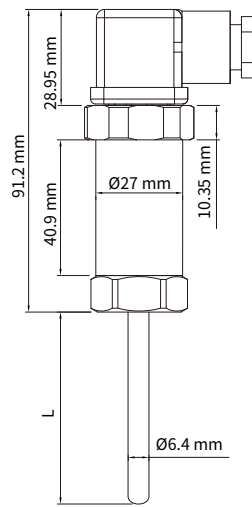


Dimension

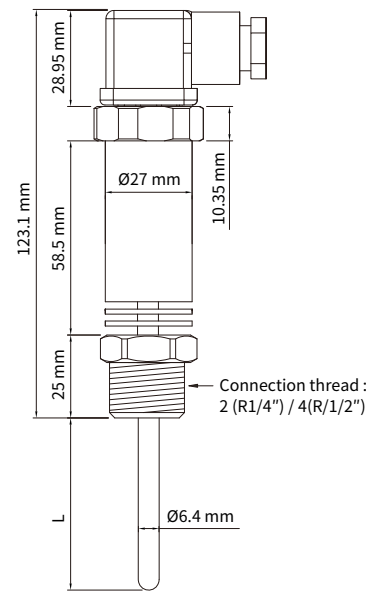
Standard type(0 ... 80°C)



Adjustable outside-thread type



Heat sink type(Max. 100°C)



Ordering Guide

TP04 — **1** — **1** — **4** — **1** — **1** — **0** — **N**

Input
 1: Pt100 Ω

Output
 1: 4 ... 20 mA

Connection
 2: 1/4"PT outside thread
 4: 1/2"PT outside thread
 B: 1/2"PT movable outside thread
 0: w/o outside thread
 W: Special thread

Length
 1: 50 mm
 2: 100 mm
 3: 150 mm
 4: 200 mm
 0: Customization

Temp. range
 1: -50 ... +50°C
 3: 0 ... +50°C
 4: 0 ... +100°C
 5: 0 ... +200°C

Housing
 N: Standard
 0: Heat sink

Option
 N: None

Additional Option Test Report | For more detailed information please contact us.

ILAC / TAF

Lomas Resolve Technology Pte. LTD. Calibration Laboratory - (ILAC / TAF) Test report.
 (TAF accreditation : 3032, complying with ISO / IEC 17025) TAF has mutual recognition arrangement with ILAC MRA

Project	Measurand level or range
Resistance thermometer	-40°C ... +300°C
Thermocouple thermometer	-20°C ... +300°C

ISO 9001

Project	Measurand level or range
RTD / Thermocouple	Resistance thermometer : -40°C ... +300°C
	Thermocouple thermometer : -20°C ... +300°C