



LDP Series - Differential Pressure Gauge with Bourdon Tube



Application

The 1602 series differential pressure gauge features double Bourdon tubes, designed to measure the pressure difference between two sources. This makes it ideal for use in corrosive environments, ensuring a longer lifespan

Specification

Nominal sizes

4"

Connection

BSP 1/2" for 4"

Scale Range, according to EN 837-1/5

Pressure ranges: 0 to
1.6/2.5/4/6/10/16/25/40/60 bar

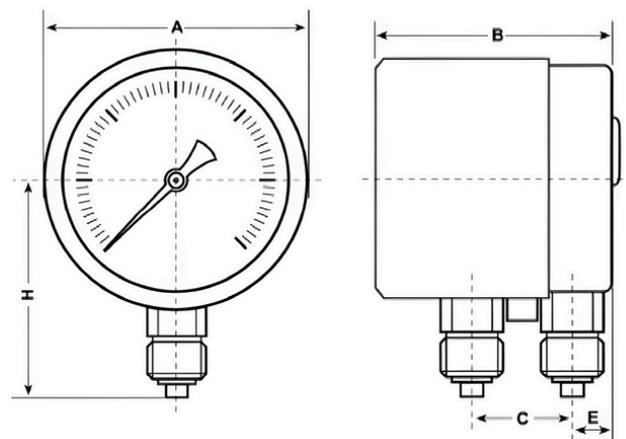
Options

NPT, BSPT, or other process connection Non-standard dial range

Material Specification

- Case: AISI 304 stainless steel case and friction ring
- Window: instrument glass
- Wetted parts: AISI 316 stainless steel Bourdon tube and connection
- Movement: AISI 304 stainless steel

Dimension Drawing



DIAL SIZE	A	B	H	C	E
4"	Ø 102	80	95	32	16