



LMC - ED Magnetic Snap-on Contact Pressure gauge For harsh and corrosive environment





Application

Lomas LMC - ED series magnetic snap-on gauge is specifically designed for precise automatic control and seamless signal transfer. When the pressure reaches the predetermined value, the contacts will open or close the circuits accordingly. The ED series is expertly crafted to withstand harsh and corrosive environments, ensuring reliable performance.

Specifications

Nominal sizes

4", 6"

Connection

BSP 1/2" for 4", 6"

Protection class

IP 54 or IP65 (for liquid-filled 1714 series)

Scale Range (according to EN 837-1/5)

Pressure ranges: 0 to

0.6/1/1.6/2.5/4/6/10/16/25/40/60/100/160/
250/400/600/1000 bar

Vacuum range: -1 to 0 bar

Compound pressure: -1 to

0.6/1.5/3/5/9/15/24 bar

Operating Temperature

- **Ambient:** -20°C to 60°C
- **Medium :** 100°C maximum

Material Specification

Case: 304 stainless steel case and DIN bayonet ring

Window: instrument glass

Wetted parts: 316 stainless steel bourdon tube and connection, TIG welding

Movement: 304 stainless steel

Contacts: Two contacts, one contact, Often open, often close

Maximum working voltage: AC380V or DC220V

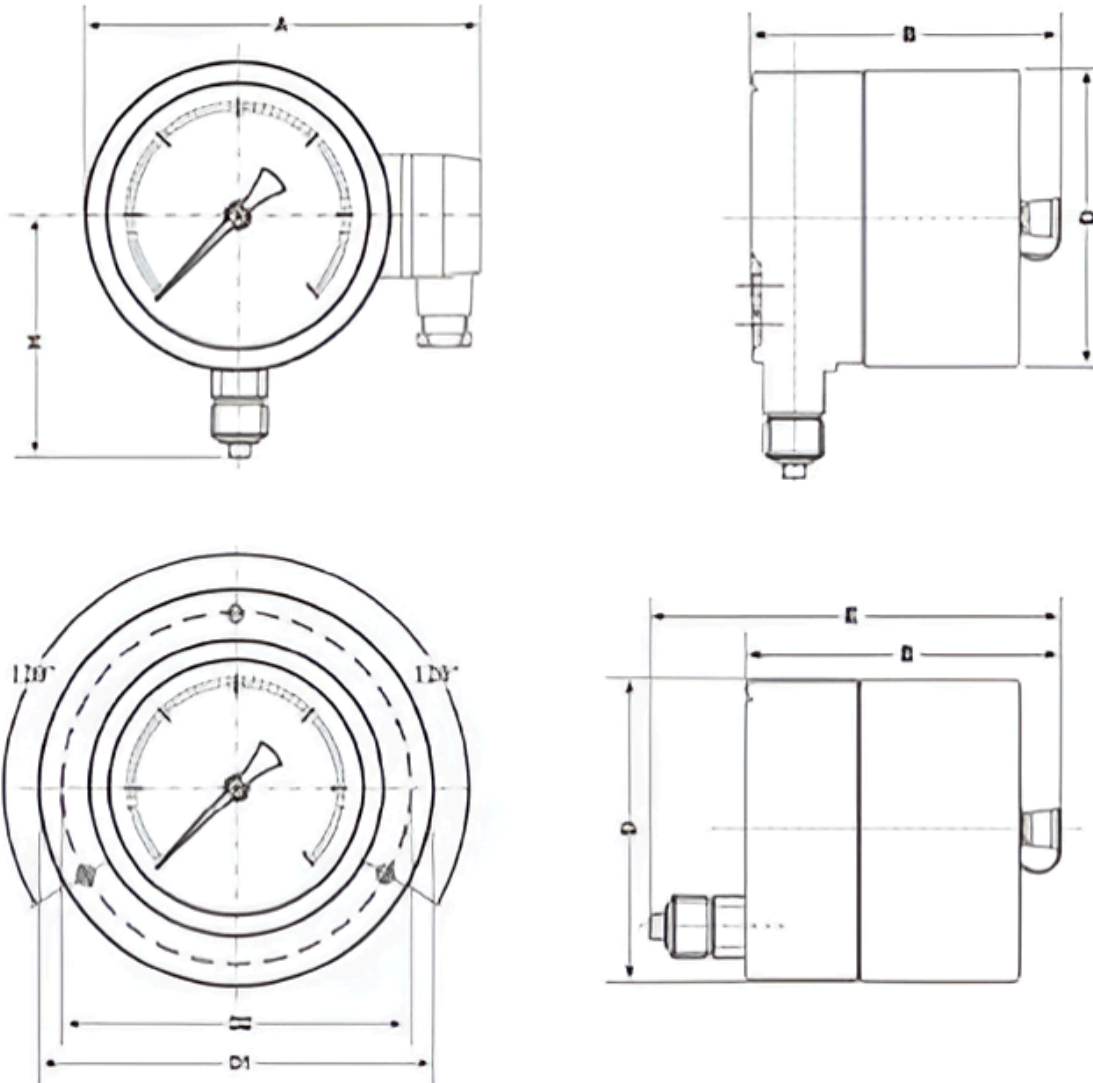
Maximum current: 1A

Contact Power: 30VA

Options:

- NPT, BSPT or other process connection
- Non-standard dial range
- Diaphragm seal in thread or flange end

Dimension Drawing



DIAL SIZE	A	B	D	H	D1	D2	E
4"	142	104	101.5	88	Ø132	Ø116	143
6"	193	98	161	125	Ø178	Ø166	150
DIAL SIZE	A	B	D	H	D1	D2	E